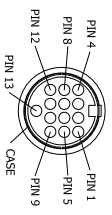
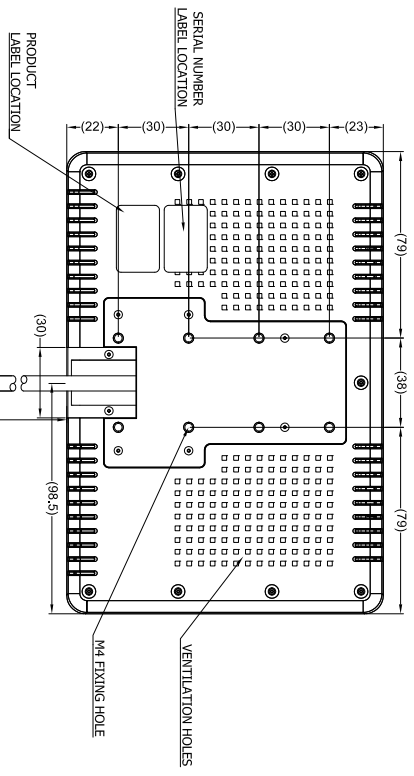
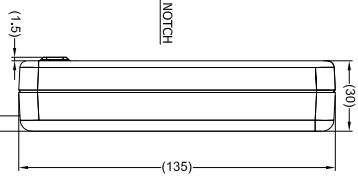
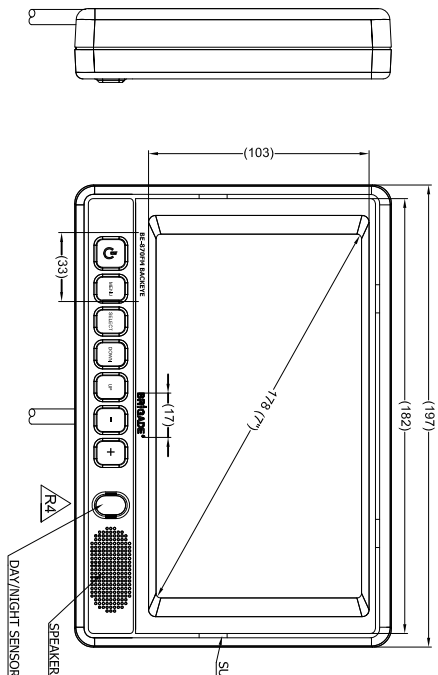
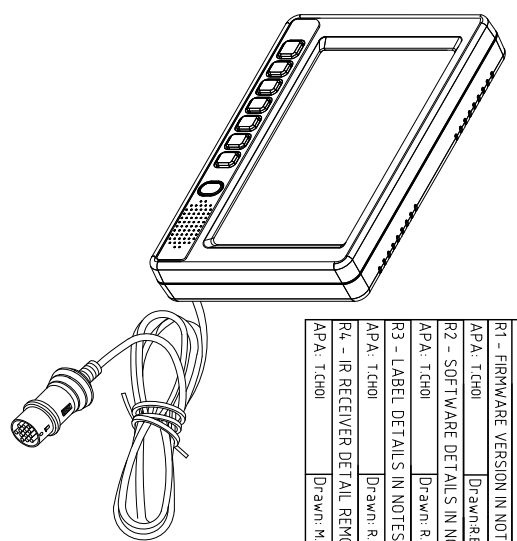
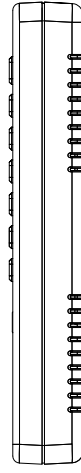


VIEW A

13 PIN FEMALE MATING FACE



PIN #	WIRE COLOUR	DESCRIPTION
1	THIN BLUE	CC2 VIDEO IN
2	THIN GREEN	CC2 VIDEO IN
3	THIN BLUE	CC2 VIDEO IN
4	THIN BLACK	CC1 VIDEO IN
5	THICK GRAY	AUDIO IN
6	THICK VIOLET	RXD
7	THICK RED	TXD
8	THICK GREEN	CALL TILT CTRL
9	THICK GREEN	GROUND
10	THICK GREEN	CC1 VIDEO IN
11	THICK BROWN	IR-2-23VCC
12	THICK ORANGE	VIDEO OUT
13	THICK YELLOW	CAVOWER 23VCC GROUND



A



NOTES:

1. HOUSING MATERIAL: ABS XR401.
2. FINISH: DARK GREY SPRAY, SILKSCREEN COLOUR PANTONE 428C.
3. FOR PRODUCT LABEL REFER TO THE LATEST REVISION OF DRAWING BE-002900-XX-14.
4. FOR SERIAL NO. LABEL REFER TO THE LATEST REVISION OF DRAWING BE-001655-XX-11.
5. SOFTWARE LEVEL: FIRMWARE VERSION - REV 1.5 & CHECKSUM NO. - 8AAC.
6. PCB LEVEL: MAIN PCB 5PRESP1091LF-00 ECL-720QD REV-1.0

PROPRIETARY NOTICE

THIS DESIGN AND TECHNICAL INFORMATION APPEARING ON THIS DRAWING IS THE PROPERTY OF BRIGADE ELECTRONICS, AND IS DISCLOSED IN CONFIDENCE. IT IS NOT TO BE COPIED, REPRODUCED, REVEALED TO OR EXPLOITED BY OTHERS, EITHER IN WHOLE OR IN PART WITHOUT THE EXPRESS WRITTEN CONSENT OF BRIGADE ELECTRONICS.

Revision Notes			
R1 - FIRMWARE VERSION IN NOTES ADDED AS PER ECR CR-A246			
APA: TICH00	Drawn: RBATES	Checked: B.CHILDS	Approved: G.PLITH Date: 22/07/13
R2 - SOFTWARE DETAILS IN NOTES UPDATED AS PER ECR CR-A282			
APA: TICH00	Drawn: RBATES	Checked: B.CHILDS	Approved: G.PLITH Date: 11/03/14
R3 - LABEL DETAILS IN NOTES UPDATED			
APA: TICH00	Drawn: RBATES	Checked: A.FEDRIGHI	Approved: G.PLITH Date: 31/07/14
R4 - IR RECEIVER DETAIL REMOVED FROM DRAWING AS PER ECR CR-A538			
APA: TICH00	Drawn: MBUTLER	Checked: R.PENTLEY	Approved: B.JOHN Date: 21/07/17

BRIGADE
www.brigade-electronics.com

Assembly PI Approval		Approved by		Checked by		Drawn by	
TICH01 - 30/08/12		S.MATTHEWS		J.NEWMAN		M.BUTLER	
Angle of Projection		Scale		Released		Assembly Ref	
Third Angle		N/A		30/08/12		BE-870FM-M	
Status RELEASED		Part No		3961A		BE-002118-04-12	